

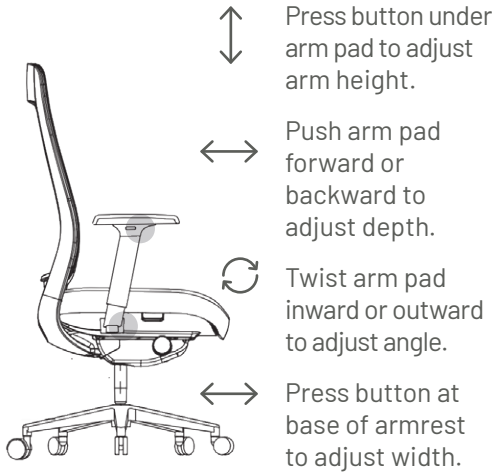
At Work Task Chairs

Adjustment Instructions

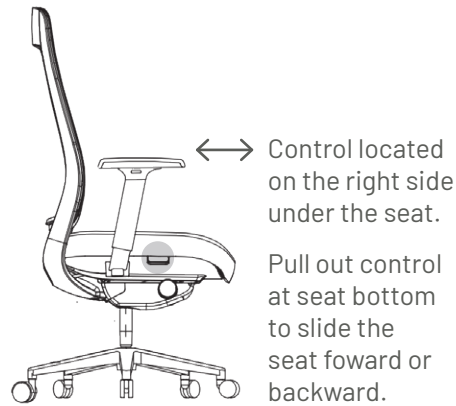
form

FURNITURE MADE SIMPLE®

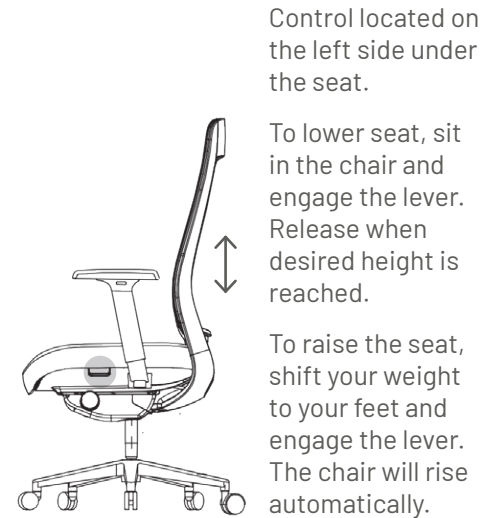
1 4D ARMREST



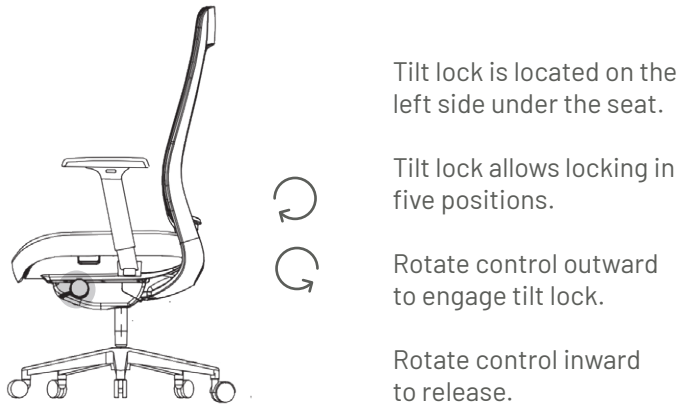
2 SLIDE SEAT



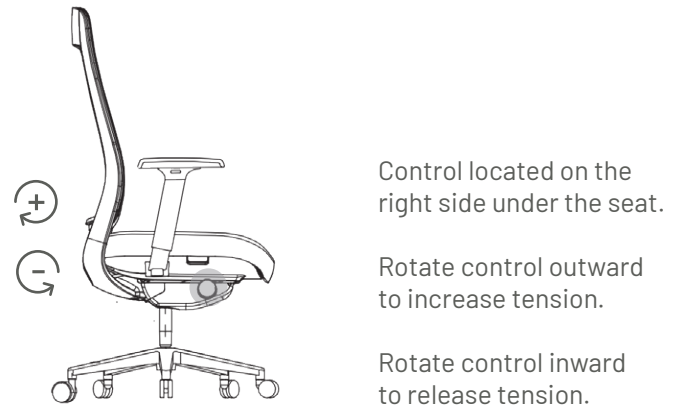
3 ADJUST HEIGHT



4 TILT LOCK



5 TILT TENSION



formfurniture

www.form-furniture.com

Form Furniture ©2023 All Rights Reserved.

