

Balancing Act Dual Monitor Arm

form

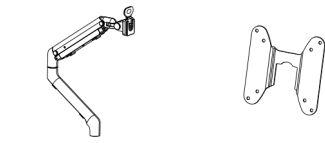
FURNITURE MADE SIMPLE®

Assembly Instructions

Components



A / Clamp or B / Grommet 1 pc



C / 2 pcs D / 2 pcs



E / 2 pcs F / 2 pcs



G / 1 pc (6mm) H / 1 pc (5mm)



I / 1 pc (4mm) J / 1 pc (3mm)



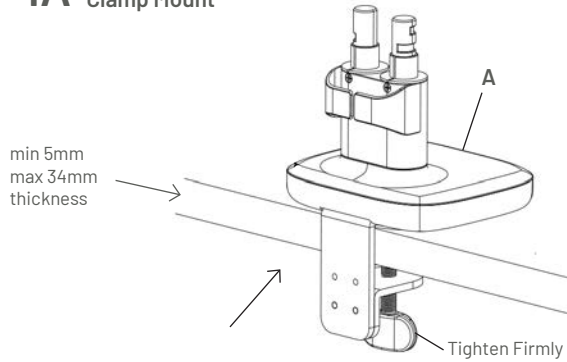
K / 1 pc (2mm) L / 8 pcs (m4x8mm)



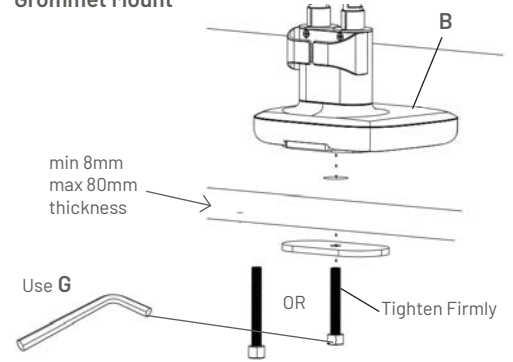
M / 8 pc (m4x18mm) N / 8 pcs

Assembly

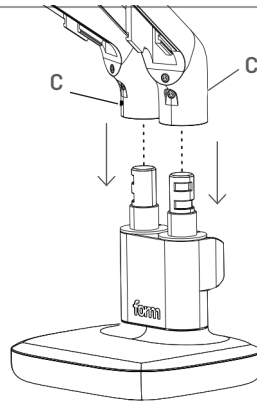
1A Clamp Mount



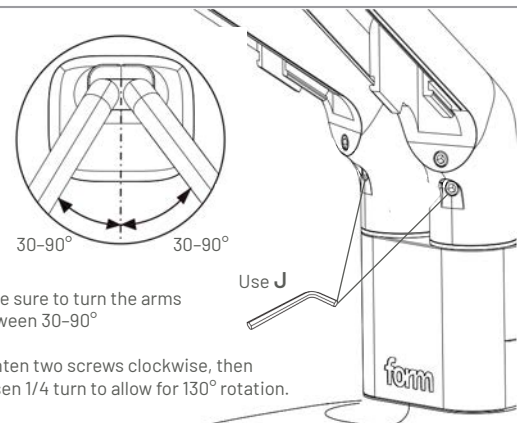
1B Grommet Mount



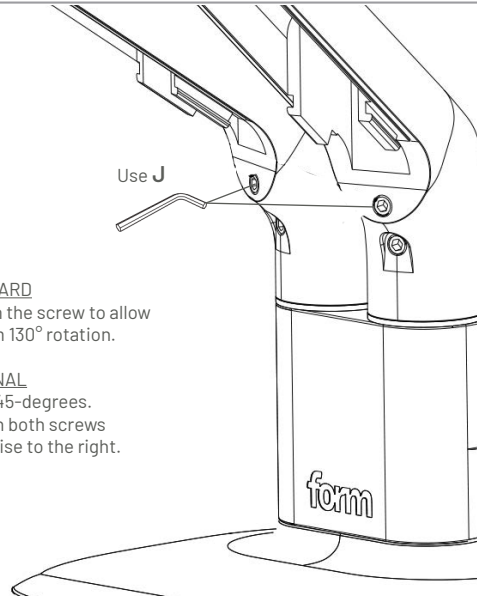
2 Install Arms on the Base Clamp



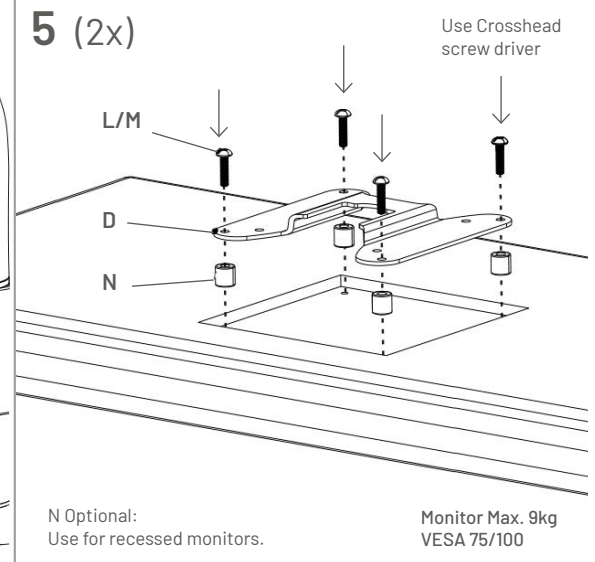
3



4



5 (2x)



formfurniture

www.form-furniture.com

Form Furniture ©2023 All Rights Reserved.



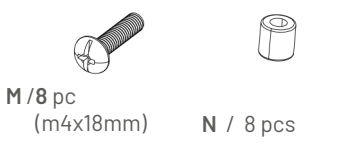
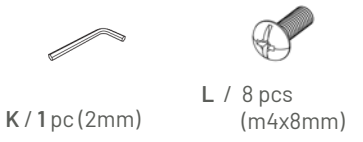
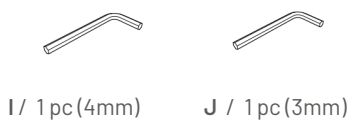
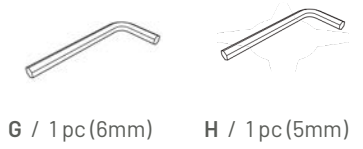
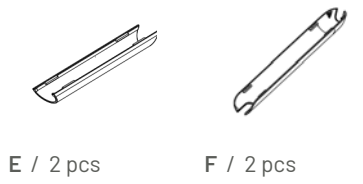
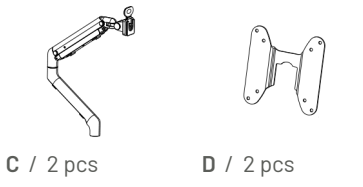
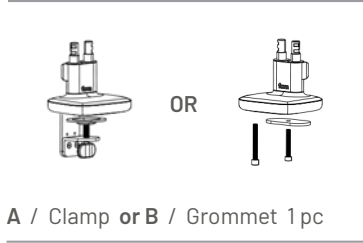
Balancing Act Dual Monitor Arm



FURNITURE MADE SIMPLE®

Assembly Instructions

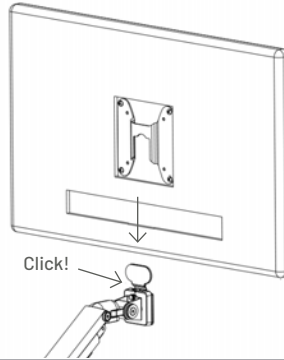
Components



Assembly

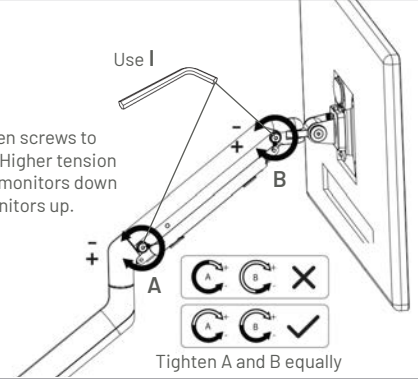
6 (2x)

Install the monitor on the arm



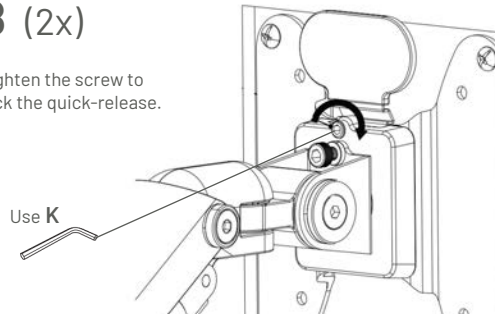
7 (2x)

Tighten or loosen screws to adjust tension. Higher tension will hold lighter monitors down and heavier monitors up.



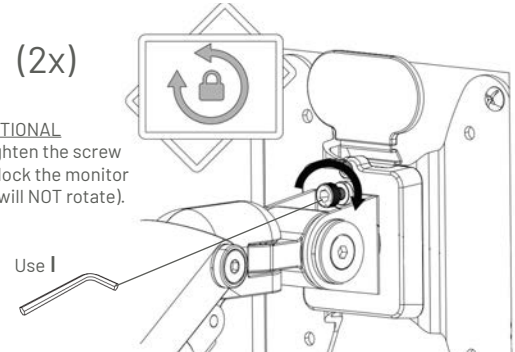
8 (2x)

Tighten the screw to lock the quick-release.



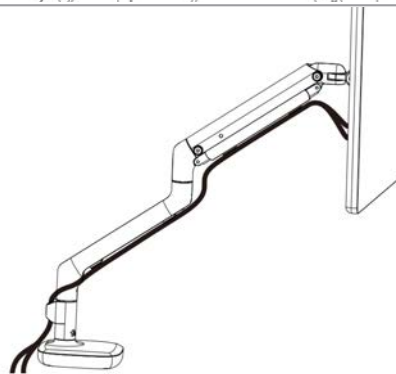
9 (2x)

OPTIONAL
Tighten the screw to lock the monitor (it will NOT rotate).



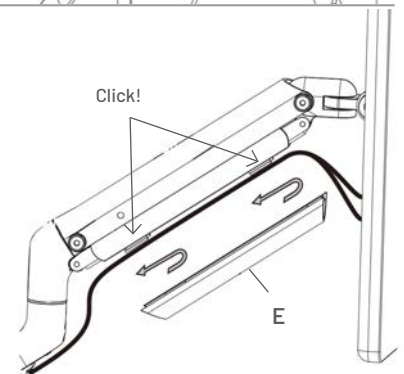
10 (2x)

Cable Management



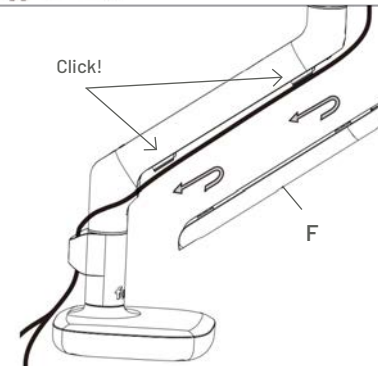
11 (2x)

Cable Management Upper Link



12 (2x)

Cable Management Lower Link



13

