

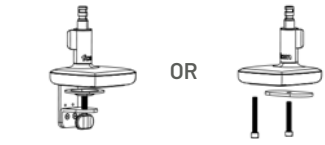
Balancing Act Single Monitor Arm

Assembly Instructions

form

FURNITURE MADE SIMPLE®

Components



A / Clamp or B / Grommet 1 pc



C / 1 pc D / 1 pc



E / 1 pc F / 1 pc



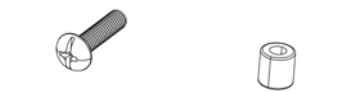
G / 1 pc (6mm) H / 1 pc (5mm)



I / 1 pc (4mm) J / 1 pc (3mm)



K / 1 pc (2mm) L / 4 pcs (m4x8mm)

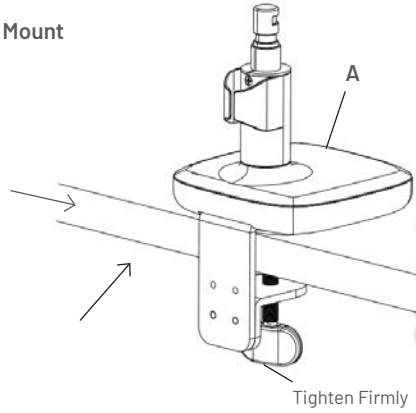


M / 4 pcs (m4x18mm) N / 4 pcs

Assembly

1A Clamp Mount

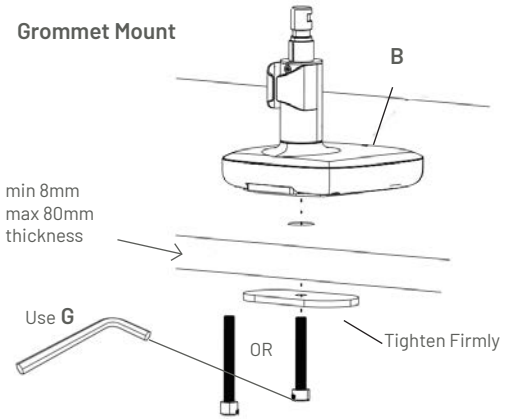
min 5mm
max 34mm
thickness



Tighten Firmly

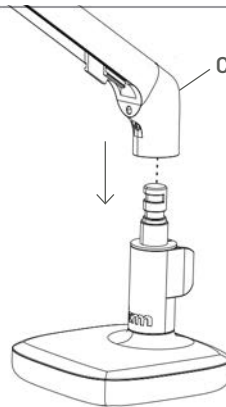
1B Grommet Mount

min 8mm
max 80mm
thickness



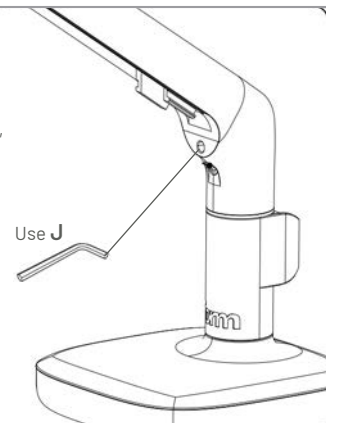
Tighten Firmly

2 Install Arm on the Base Clamp

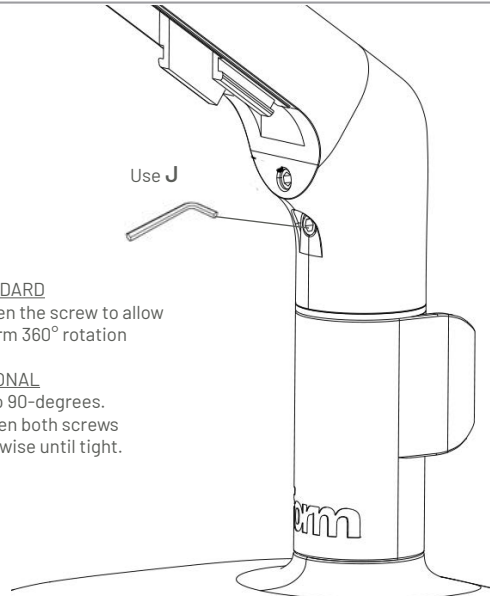


3

Tighten two screw clockwise, then loosen 1/4 turn to allow for 360° rotation



4



Use J

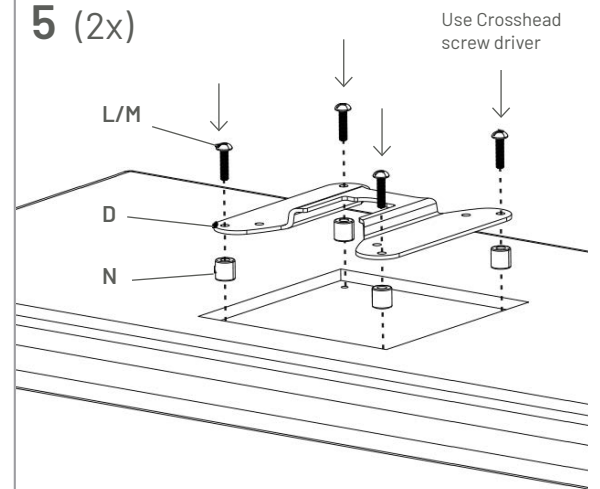
STANDARD

Loosen the screw to allow the arm 360° rotation

OPTIONAL

Set to 90-degrees. Tighten both screws clockwise until tight.

5 (2x)



Use Crosshead screw driver

N Optional: Use for recessed monitors

Monitor Max. 9kg
VESA 75/100

formfurniture

www.form-furniture.com

Form Furniture ©2023 All Rights Reserved.



Balancing Act Single Monitor Arm

form

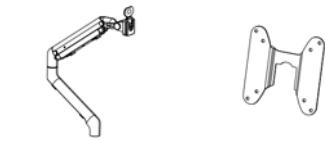
FURNITURE MADE SIMPLE®

Assembly Instructions

Components



A / Clamp or B / Grommet 1 pc



C / 1 pc D / 1 pc



E / 1 pc F / 1 pc



G / 1 pc(6mm) H / 1 pc(5mm)



I / 1 pc(4mm) J / 1 pc(3mm)



K / 1 pc(2mm) L / 4 pcs (m4x8mm)

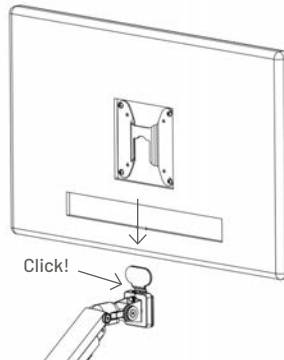


M / 4 pc (m4x18mm) N / 4 pcs

Assembly

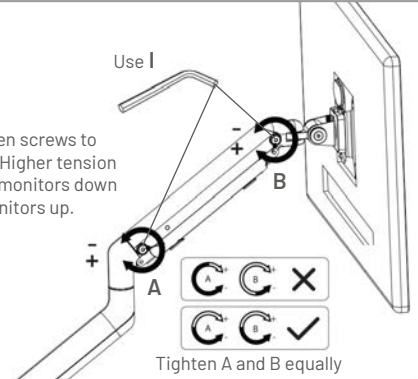
6 (2x)

Install the monitor on the arm



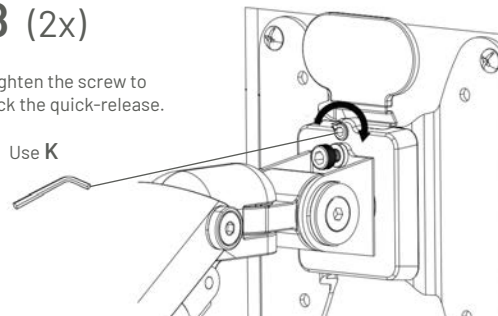
7 (2x)

Tighten or loosen screws to adjust tension. Higher tension will hold lighter monitors down and heavier monitors up.



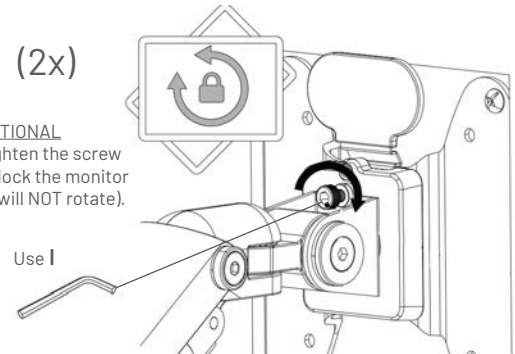
8 (2x)

Tighten the screw to lock the quick-release.



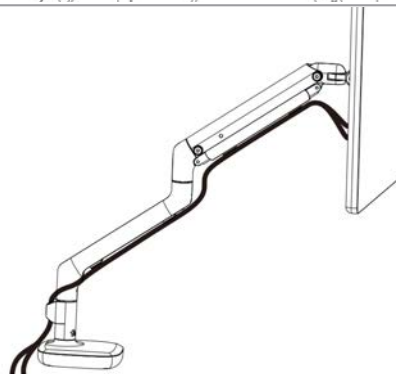
9 (2x)

OPTIONAL
Tighten the screw to lock the monitor (it will NOT rotate).



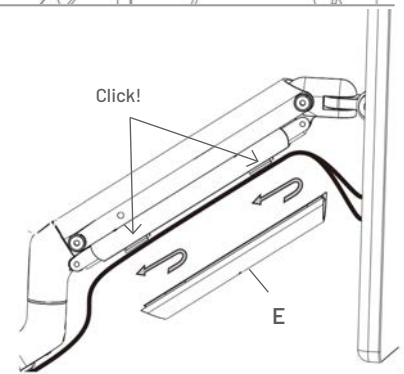
10 (2x)

Cable Management



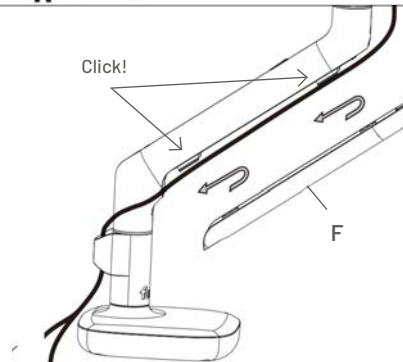
11 (2x)

Cable Management Upper Link

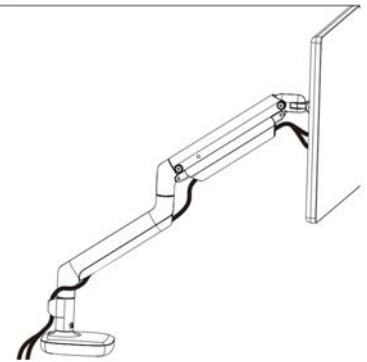


12 (2x)

Cable Management Lower Link



13



formfurniture

www.form-furniture.com

Form Furniture ©2023 All Rights Reserved.

