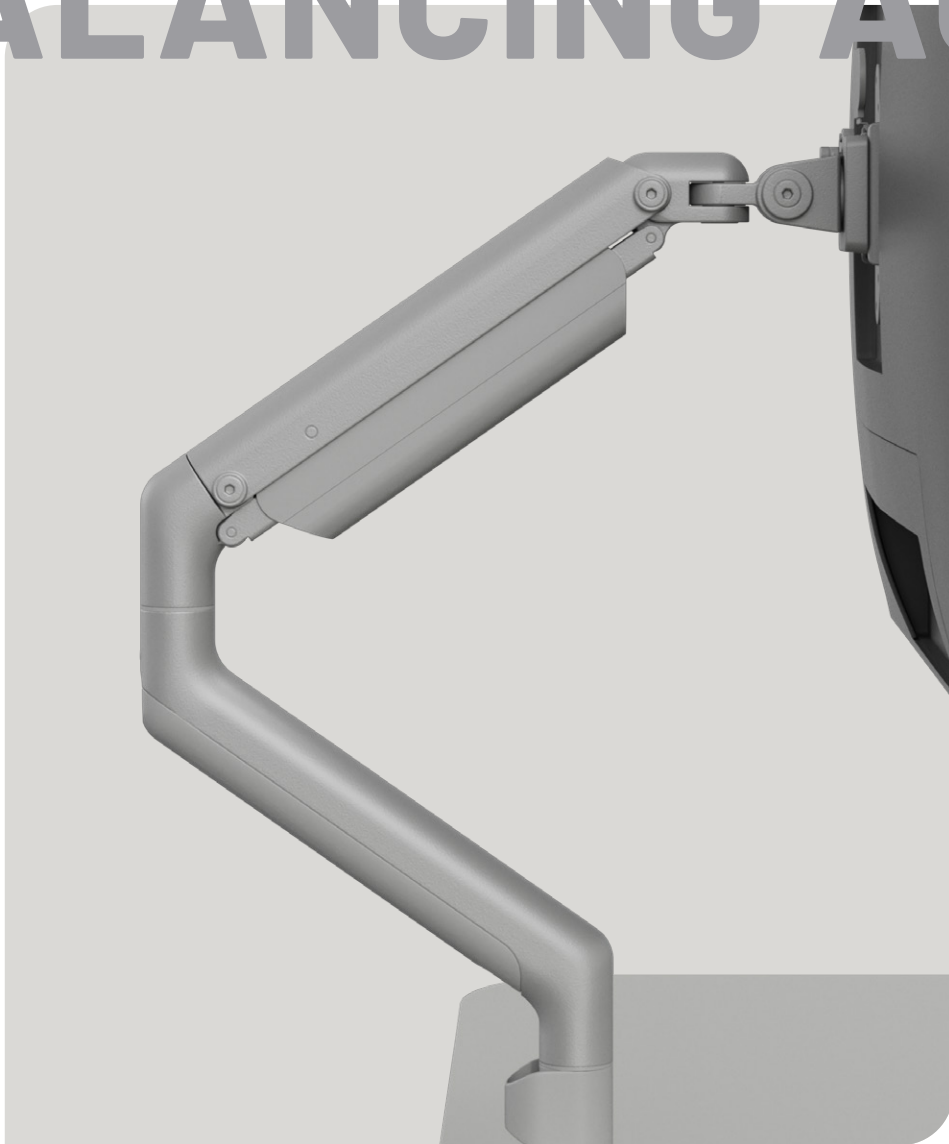


BALANCING ACT

Single Monitor Arm



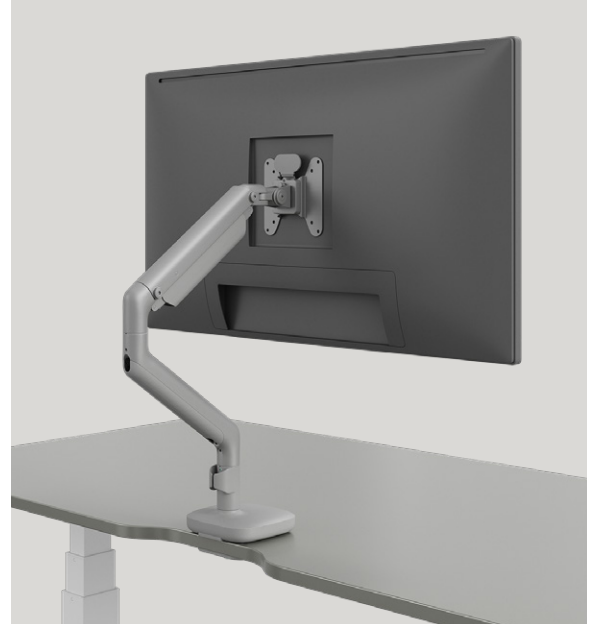
The Balancing Act monitor arm by Form Lab offers all the space savings and ergonomic benefits you expect with a beautiful and simple design that will look great in any space. Our dynamic motion technology allows for effortless adjustment—striking a perfect balance between style, function, and price.

form

FURNITURE MADE SIMPLE®

BALANCING ACT

Single Monitor Arm



Details

- Organic, graceful form
- Integrated cable management
- Dynamic motion technology for perfect movement and balance
- Quick release VESA plate
- Sliders available for use with large monitors
- Rotate monitor for landscape or portrait view

Arm

Height: 18.62" fully extended
Depth: 20.12" fully extended
Base Width and Depth: 5.12"

Extended Arm Reach From Desk Edge
20.11"

Vertical Arm Adjustment Range
9.92"

Monitor Pivot Range
Tilt +/80°, Swivel +/90°, 360° Monitor Rotation with 180° stop lock adjustment

Monitor Weight Supported
6-19.8 lbs

Monitor Size Supported
Up to 32"

VESA Compliant
75mm, 100mm

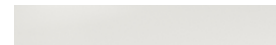
Shipping Box
20" x 14.2" x 6.7"

Shipping Product Weight
11.22 lbs

Product Warranty
12 Years

Product Certificate
BIFMA X5.5

BOLT-THRU BASE



Perfect White
5101-BALA-0BT1W

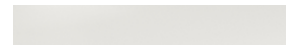


Silver Grey
5101-BALA-0BT1G



Classic Black
5101-BALA-0BT1B

CLAMP BASE



Perfect White
5101-BALA-0CM1W



Silver Grey
5101-BALA-0CM1G



Classic Black
5101-BALA-0CM1B

