

Balancing Act Slider

Assembly Instructions

form

FURNITURE MADE SIMPLE®

Components



A / Clamp 1 pc



B / 1 pc(4mm)

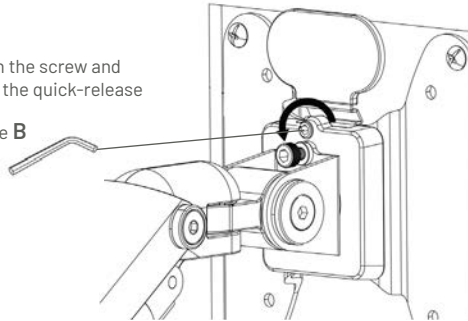
C / 1 pc(2mm)

Assembly

1

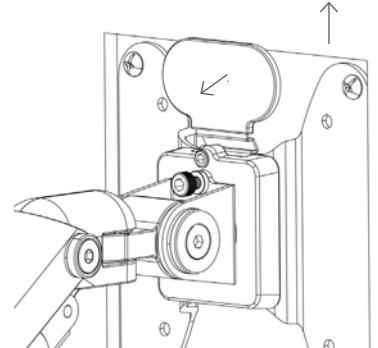
Loosen the screw and unlock the quick-release

Use B



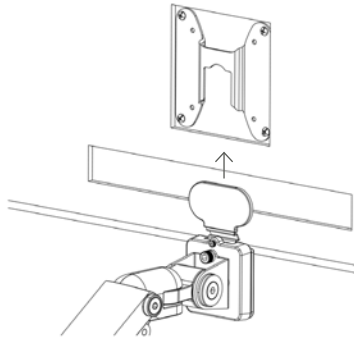
2

Hold the monitor, pull out the quick-release button.



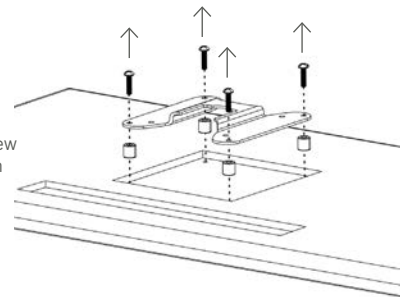
3

Take out the monitor carefully.



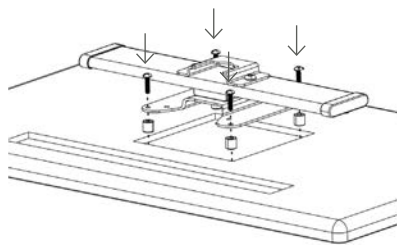
4

With a Crosshead screw driver, unscrew the VESA plate from the monitor.



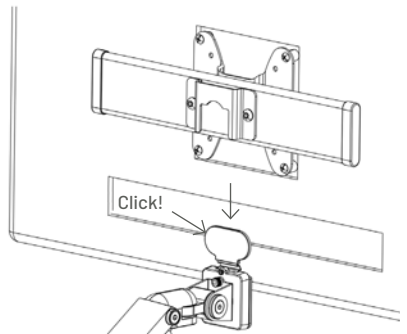
5

Install the slider on the monitor.



6

Install the monitor on the arm.

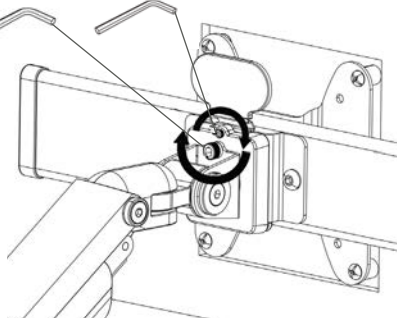


7

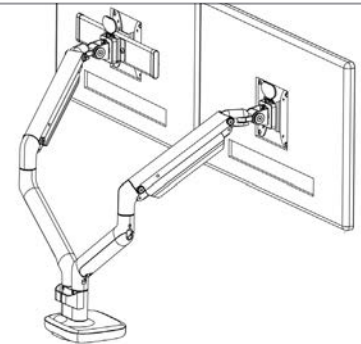
Tighten two screws to lock the quick-release and slider

Use B

Use C



8



formfurniture

www.form-furniture.com

Form Furniture ©2023 All Rights Reserved.

