

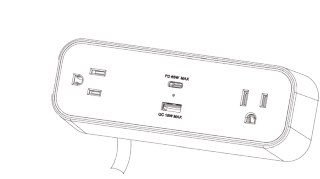
Clean Slate PowerUp

Installation Instructions



FURNITURE MADE SIMPLE®

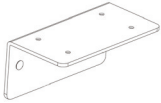
Components



A / 1pc



B / 1pc



C / 1pc



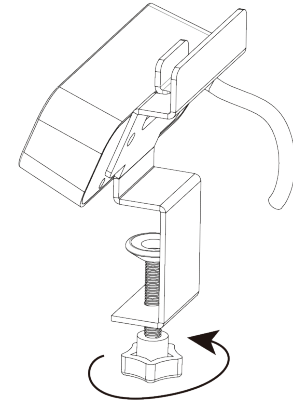
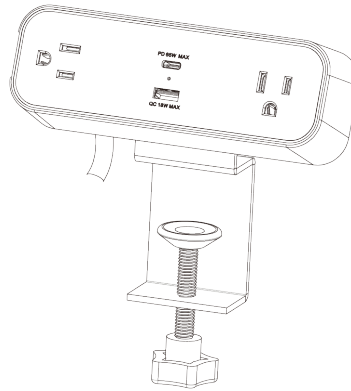
D / 6 pcs

6201-POWR-00CBB (Black)
6201-POWR-00CBW (White)

Installation

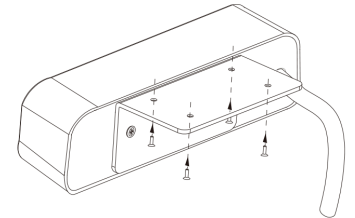
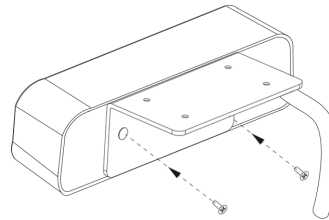
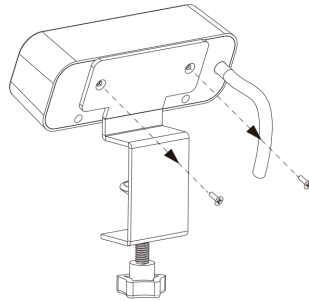
Clamp Mount

Turn the knob to tighten the clamp.



Under Mount

Remove the clamp mount and install the under mount bracket. Screw the unit to the underside of the worktop.



Ports	AC Outlets	2x NEMA 5-15R
	USB Ports	1x USB-A, 1x USB-C
Cord	Length	6'0" or 10'0" (1.8m or 3m)
	Rating	15A, 125V, AC 60Hz Max, 1875W
Electrical Rating	USB-C Outlet	(5V, 9V, 12V, 15V) DC, 3A, 20VDC, 3.25A PD65W Max.
	USB-A Outlet	5VDC, 3A; 9VDC, 2A; 12VDC, 1.5A QC18W Max.
	USB-A+C Output	USB-C (5V, 9v, 12V, 15V)DC, 3A, 20VDC, 2.25A PD45W Max USB-A 5VDC, 3A; 9VDC, 2A; 12VDC, 1.5A QC18W Max.
Environmental	Temperature – Operating	32°F to 86°C
	Temperature – Storage	14°F to 122°C
Regulatory Compliance	Safety	UL962A, CSA C22.2 No.308
	EMC	FCC Part15 Subpart B Class B / CAN ICES-003(B)/NMB-3(B)



Clean Slate PowerUp

Installation Instructions

Important Safety Instructions

SAVE THESE INSTRUCTIONS

CAUTION

Read all instructions prior to installation. This product is designed for indoor use only. Install the product away from heat-emitting appliances such as radiators or heat registers.

- DO NOT install where excessive moisture is present.
- DO NOT connect to an ungrounded outlet.
- DO NOT connect product to an extension cord or adapter.
- DO NOT plug in extension cords or any type of power strip.
- DO NOT drill into any part of the housing or open the housing for any reason. There are no serviceable parts inside.

WARNING

Use of this equipment in life support applications where failure of this equipment can reasonably be expected to cause the failure of the life support equipment or to significantly affect its safety or effectiveness is not recommended.

DANGER

Misuse can result in FIRE or DEATH by ELECTRICAL SHOCK.

WARNING

Risk of electric shock, fire, and injury.

WARNING

FCC Warning

This device complies with Part 15 of the FCC Rules. Operation is subject to the following two conditions: (1) this device may not cause harmful interference, and (2) this device must accept any interference received, including interference that may cause undesired operation.

Changes or modifications not expressly approved by the party responsible for compliance could void the user's authority to operate the equipment. This equipment has been tested and found to comply with the limits for a Class B digital device, pursuant to part 15 of the FCC rules. These limits are designed to provide reasonable protection against harmful interference in a residential installation. The equipment generates uses and can radiate radio frequency energy and if not installed and used in accordance with the instructions, may cause harmful interference to radio communications. However, there is no guarantee that interference will not occur in a particular installation. If this equipment does cause harmful interference to radio or television reception, which can be determined by turning the equipment off and on, the use is encouraged to try to correct the interference by one or more of the following measures:

- Reorient or relocate the receiving antenna.
- Increase the separation between the equipment and receiver.
- Connect the equipment into an outlet on a circuit different from that to which the receiver is connected.
- Consult the dealer or an experienced radio/TV technician for help.



form

Operation

STEP 1

Plug in the desktop power module into a standard grounding receptacle by fully inserting the plug. Ensure that there are no exposed conductors.

The power module will now be providing power.

STEP 2

Make sure the electronic equipment is turned off before plugging into the outlets. Do not use extension cords to connect equipment to power module.

Connected equipment can now be turned on.

STEP 3

Hold the power module firmly against your desk when plugging and removing plugs to prevent it from pulling loose.

formfurniture

www.form-furniture.com

Form Furniture ©2023 All Rights Reserved.

