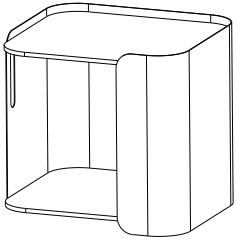


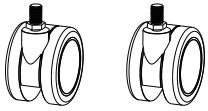
Stash Cart

Assembly Instructions

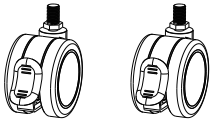
Components



A / 1pc



B / 2 pcs



C / 2 pcs (with brakes)

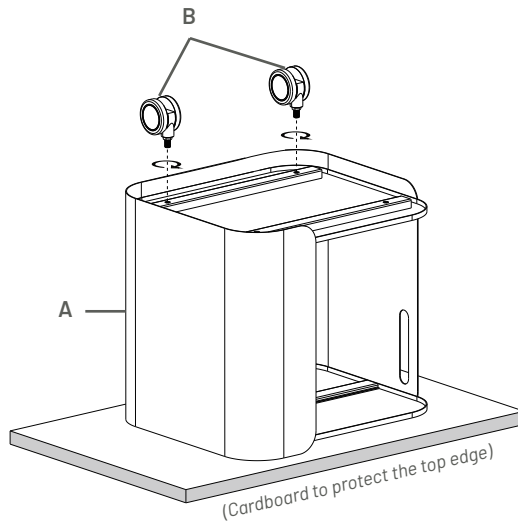


D / 1pc Hook Accessory



Assembly

1



2

